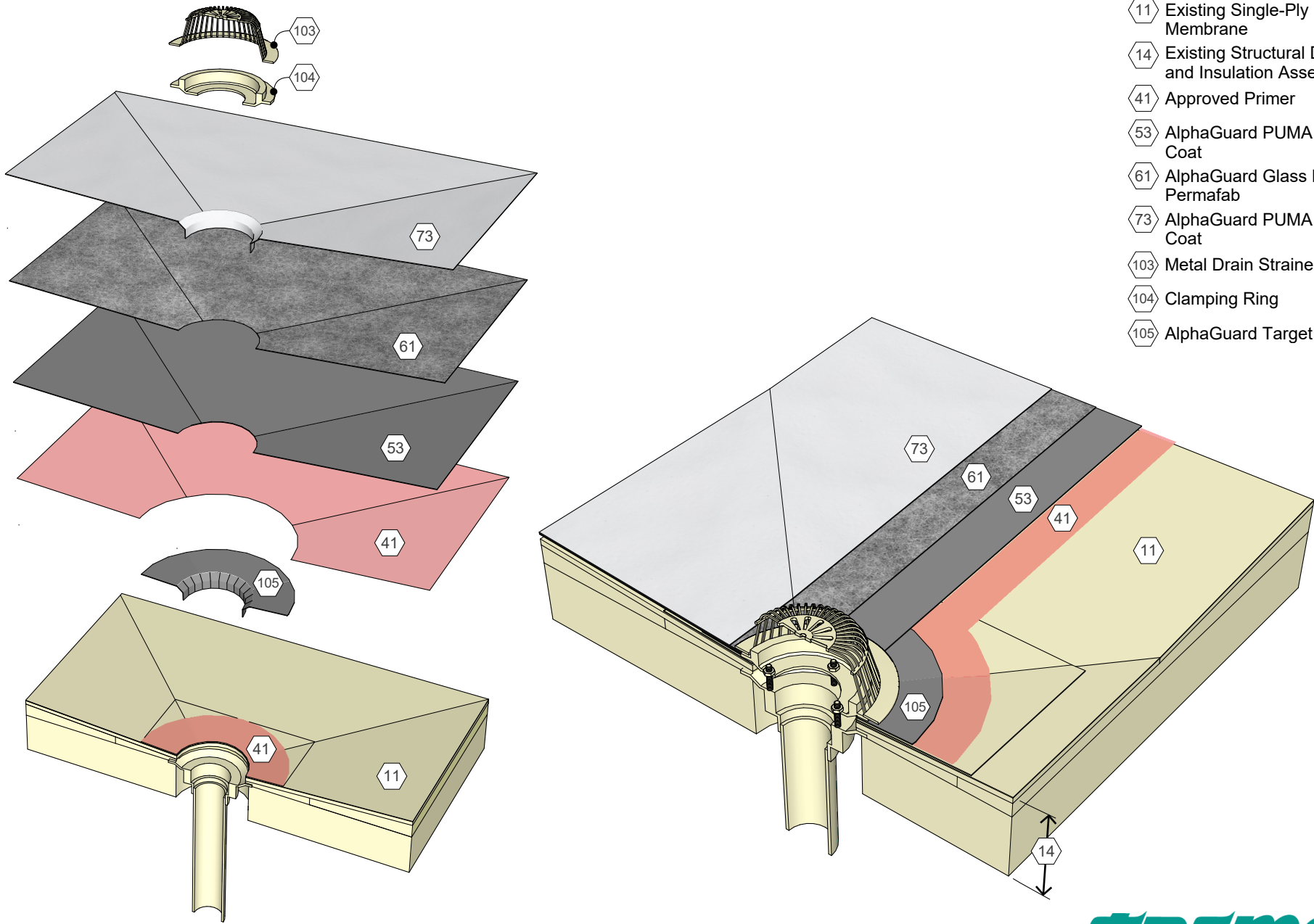


## KEY NOTES

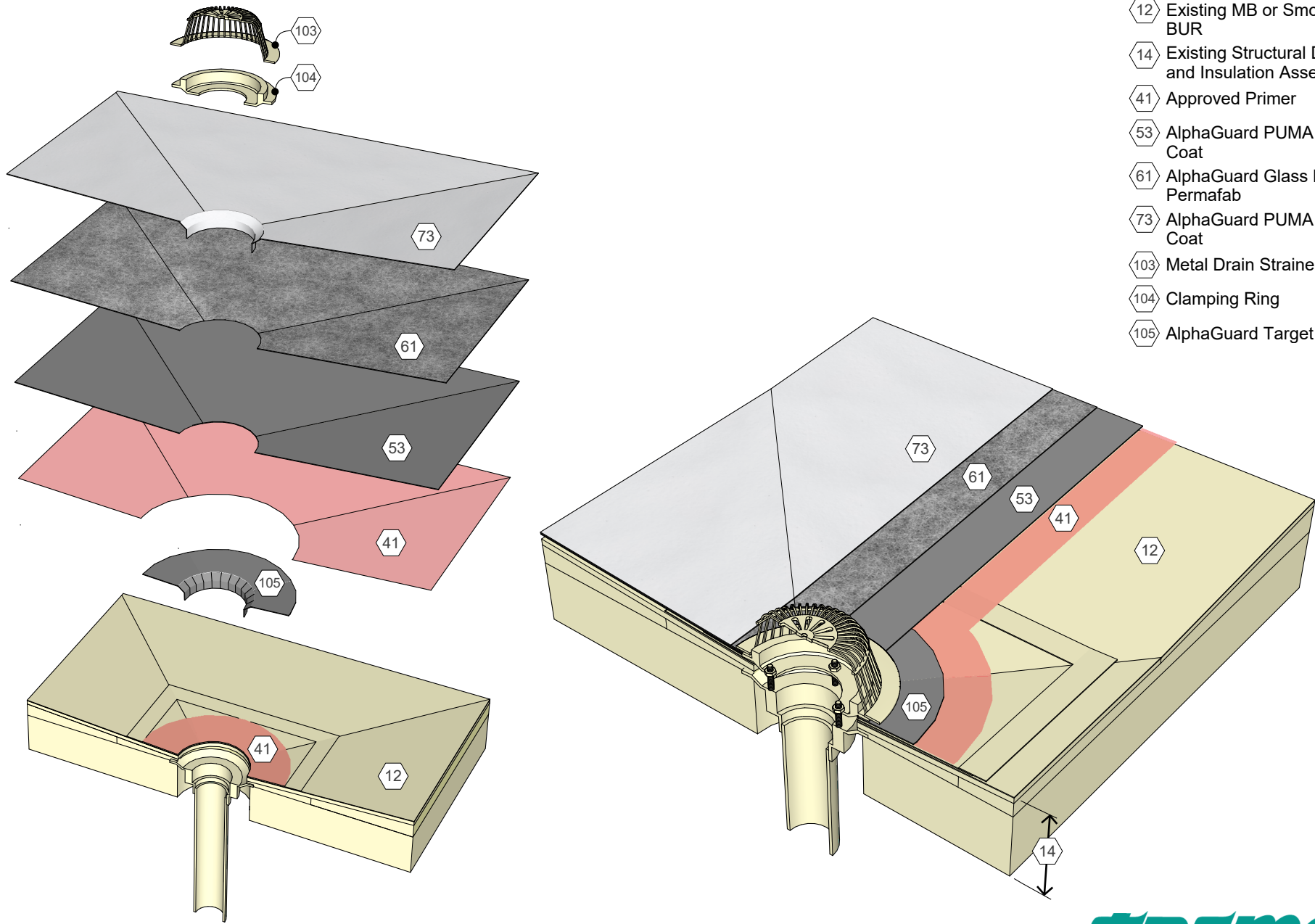
- 11 Existing Single-Ply Membrane
- 14 Existing Structural Deck and Insulation Assembly
- 41 Approved Primer
- 53 AlphaGuard PUMA Base Coat
- 61 AlphaGuard Glass Mat or Permafab
- 73 AlphaGuard PUMA Top Coat
- 103 Metal Drain Strainer
- 104 Clamping Ring
- 105 AlphaGuard Target Patch



AlphaGuard® PUMA Restoration Detail, Single-Ply, Roof Drain  
Detail 14221

## KEY NOTES

- 12 Existing MB or Smooth BUR
- 14 Existing Structural Deck and Insulation Assembly
- 41 Approved Primer
- 53 AlphaGuard PUMA Base Coat
- 61 AlphaGuard Glass Mat or Permafab
- 73 AlphaGuard PUMA Top Coat
- 103 Metal Drain Strainer
- 104 Clamping Ring
- 105 AlphaGuard Target Patch



AlphaGuard® PUMA Restoration Detail, MB or Smooth BUR, Roof Drain  
Detail 14222

**TREMCO**  
ROOFING & BUILDING MAINTENANCE